

# HYBRID SERIES CONNECTOR

**Hybrid connectors** integrate air lines, electrical connections and fluid lines into a single, compact connection point for remote tools on medical devices and equipment. Eliminating the potential for misconnecting tubing and wires, CPC's Hybrid Connector platform options reduce multiple connections and allow clinicians or patients to quickly and easily change or replace modular tools, umbilicals or hand pieces.

**Large Format Hybrid Connector** – Now available with four times the flow capacity, this connector features multiple dry-break couplings and easy-to-use twist latch for secure, repeatable connection of multiple lines.

## SPECIFICATIONS

### PRESSURE:

Vacuum to 45 psi, 3.1 bar

### TEMPERATURE:

32°F to 120°F (0°C to 49°C)

### MATERIALS:

#### Non-wetted coupler components:

Glass-filled polypropylene

**Wetted coupler components:** Glass-filled polypropylene

**Springs:** Stainless steel

**Electrical contacts:** Gold-plated copper alloy

**O-rings:** EPDM

**Fluid tubing:** Polyurethane (PU)

**Umbilical tubing:** PVC

**COLOR:** Gray

### TERMINATIONS:

**Panel:** Two 1/8" (3.2mm) hose barsbs on panel and four 20 ga wires with 12" (304.3mm) pigtail

**Umbilical Hose:** 8' (2.44M) umbilical with two 1/8" (3.2mm) ID PU tubing and four 20ga wires with 3" (76.2mm) pigtail

**NUMBER OF FLUID LINES:** 2

### ELECTRICAL SPECIFICATIONS

**Voltage:** Up to 24VDC

**Current:** Up to 3 Amps

**Wire gauge:** 20AWG

**Number of contacts:** 4



### FEATURES

Single connecti on point for pneumatic, fluid, and power connections between a device and its tool/hand piece

Non-spill shutoff valves with dry-break technology

Turnkey solution

Off-the-shelf assembly

Custom options available

### BENEFITS

Makes systems data more user friendly

Eliminate fluid drips upon disconnect and minimize air inclusion

Reduces multiple components

Minimizes engineering design and manufacturing effort

Flexibility to add additional fluid connector or electrical contacts



[cpcworldwide.com/Hybrid-connector](http://cpcworldwide.com/Hybrid-connector)



#### COLDER PRODUCTS COMPANY

U.S.A.

PHONE: +1 (651) 645-0091

FAX: +1 (651) 645-5404

TOLL FREE: +1 (800) 444-2474

E-MAIL: [info@cpcworldwide.com](mailto:info@cpcworldwide.com)

#### COLDER PRODUCTS COMPANY GMBH

Germany

E-MAIL: [cpcgmbh@cpcworldwide.com](mailto:cpcgmbh@cpcworldwide.com)

#### DOVER (SHANGHAI) INDUSTRIAL CO., LTD

ShangHai, China

PHONE: +86 21 2411 2666

TOLL FREE: +86 400 990 1978

E-MAIL: [asiapacific@cpcworldwide.com](mailto:asiapacific@cpcworldwide.com)

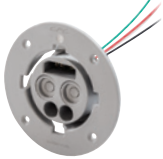
# HYBRID SERIES DIMENSIONS

## COUPLING HOSE - Polypropylene

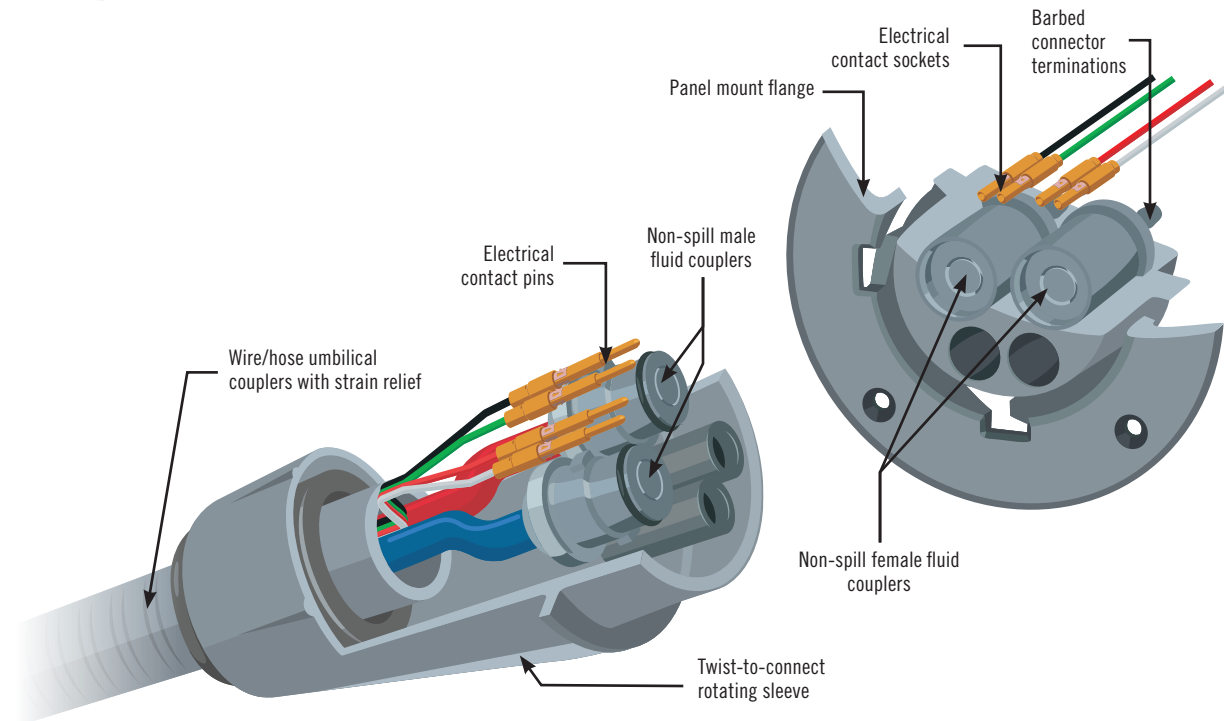


CONFIGURATION	FLOW PATHS	PART NO.	COLOR	A	B	C	D
HOSE	1/8" ID (3.2mm)	HQC17001	BLACK	2 (50.8)	2.8 (71.1)	3 (76.2)	8 (203.2)
	1/8" ID (3.2mm)	HQC17002	GREY	2 (50.8)	2.8 (71.1)	3 (76.2)	8 (203.2)

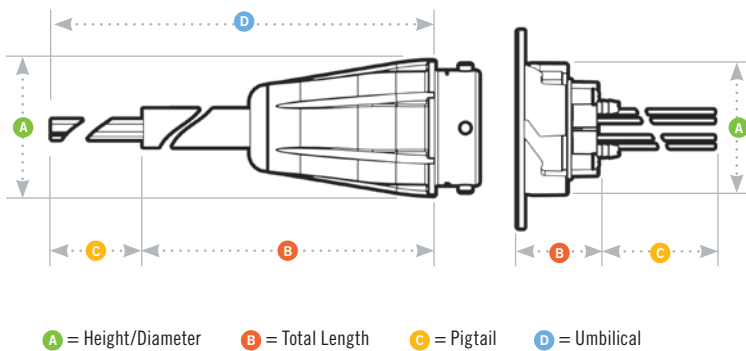
## COUPLING PANEL - Polypropylene



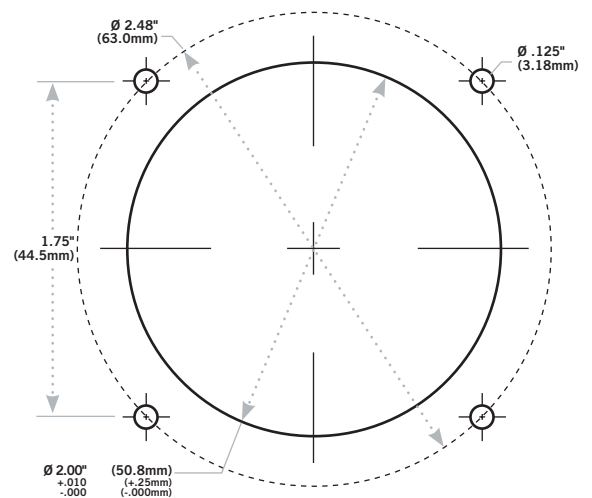
CONFIGURATION	FLOW PATHS	PART NO.	COLOR	A	B	C
PANEL MOUNT	1/8" ID (3.2mm)	HQC42000	BLACK	1.96 (49.8)	1.12 (28.4)	12 (304.8)
	1/8" ID (3.2mm)	HQC42001	GREY	1.96 (49.8)	1.12 (28.4)	12 (304.8)



## PRODUCT DIMENSIONS



## PANEL DIMENSIONS



WARRANTY: All sales are subject to Colder Products Company's limited express warranty set forth in the CPC catalog. Contact your local distributor or CPC Customer Service for warranty provisions.

Warning: Due to the wide variety of possible fluid media and operating conditions, unintended consequences may result from the use of this product, all of which are beyond the control of CPC. It is the user's responsibility to carefully determine and test for compatibility for use with their application. All such risks shall be assumed by the buyer.

COPYRIGHT © 2021 BY COLDER PRODUCTS COMPANY. COLDER PRODUCTS COMPANY, COLDER PRODUCTS AND CPC ARE REGISTERED TRADEMARKS WITH THE US PATENT & TRADEMARK OFFICE